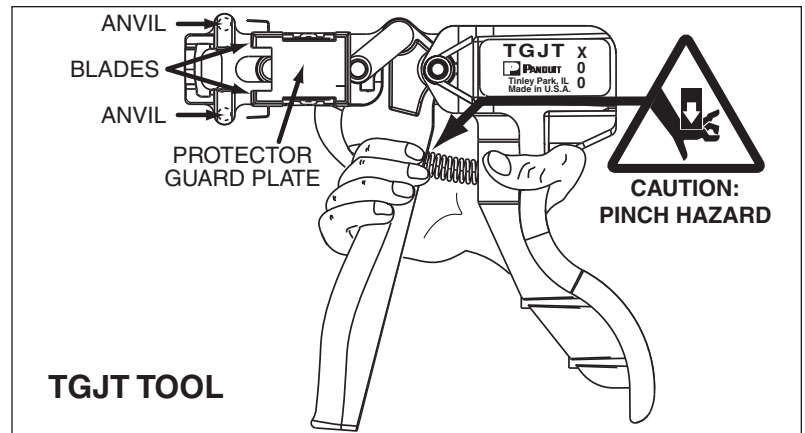
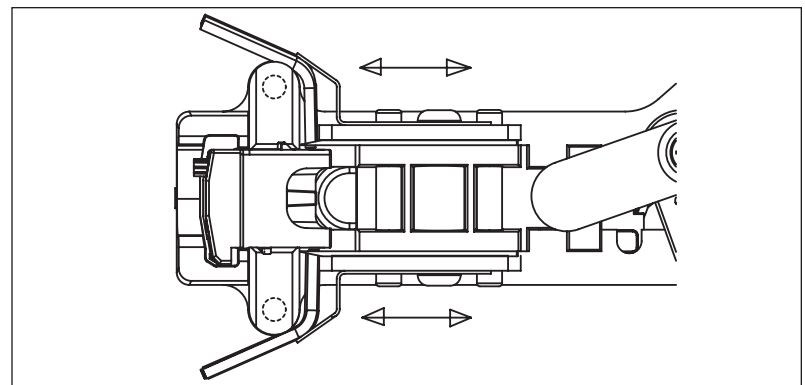


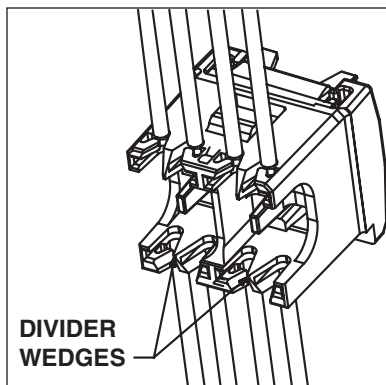
OPERATING INSTRUCTIONS

© Panduit Corp. 2008

TG STYLE JACK TERMINATION TOOL
Part No.: TGJT
**FOR INSTALLING ALL
TG STYLE COPPER JACK MODULES**
MADE IN USA

TGJT TOOL

FIGURE 3:

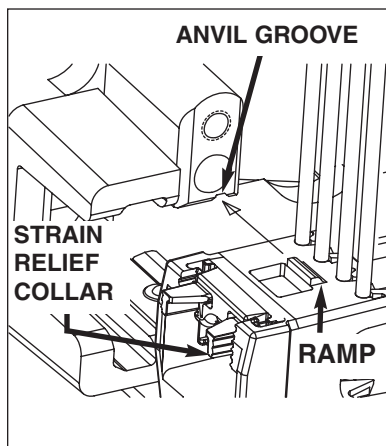
3. Pull the handle and the mechanism seats the conductors into the Wire Cap. At the same time, the Cutter Blades trim the wires nearly flush with the side faces of the Wire Cap.
4. Keeping the handles closed, slide the Wire Cap up and out of the tool. All wires should cut cleanly.

NOTE: IF THE WIRES DO NOT CUT CLEANLY OR THE WIRE CAP DOES NOT WANT TO COME OUT, EXAMINE THE CUTTER BLADE EDGE SURFACES AT THE NEXT OPENING CYCLE. IF BLADES ARE NICKED OR APPEAR WORN, REPLACE THEM WITH THE BLADE REPLACEMENT KIT.


FIGURE 1:

1. Operator should manually wire the required TG style Jack Wire Cap for the desired application. Wires must be separated and slightly down over the individual pocket divider wedges. Depress strain relief collar to secure cable.

Refer to product installation instructions for TX6 PLUS and TX5e Jack Modules (PN403A) and TX6 10Gig Jack Module (PN364C) for wiring instructions.


FIGURE 2:

2. Insert the prepared Wire Cap into the Wire Seating/Cutting side of the TGJT Tool. This side pocket properly aligns and holds the prepared Wire Cap in place. Make sure all twisted pairs of wires are out to the sides of the Wire Cap for proper cutting (refer to Figure 1). The ramp of the Wire Cap must be pointing upward and be inserted into the groove in the upper Cutter Blade Anvil.

NOTE: STRIPPED WIRES MUST BE LONG ENOUGH TO STICK OUT OF THE SIDES OF THE WIRE CAP. Refer to product installation instructions listed above for recommended wire strip lengths.



Technical Support: **PANDUIT USA**
 888-506-5400, Ext. 6914 • Fax: 708-460-2897

Website: www.panduit.com
 E-mail: cs@panduit.com

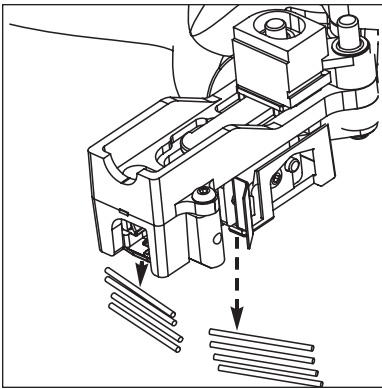


FIGURE 4:

5. Keeping the handles closed, turn the tool over above a waste wire receptacle or other scrap container. Holding the Rear Handle, release the Trigger Handle. All scrap cut wires should drop free from the tool.

NOTE: IF WIRES DO NOT EJECT, MAKE SURE WIRE RETAINERS COME IN CONTACT WITH THE BLADE ANVILS DURING THE NEXT EMPTY HAND CYCLE. IF NOT, THEY MAY NEED TO BE BENT SLIGHTLY INWARD.

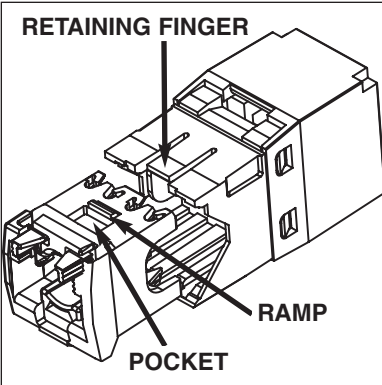


FIGURE 5:

6. Place the Wire Cap into the required Jack Module.
7. Place the Wire Cap / Jack Module assembly into the Jack Seating side of the TGJT Tool (opposite the Wire Seating/Cutting side).

NOTE: JACK MODULE RETAINING FINGER MUST BE ORIENTED TO ALIGN WITH RAMP AND POCKET OF WIRE CAP.

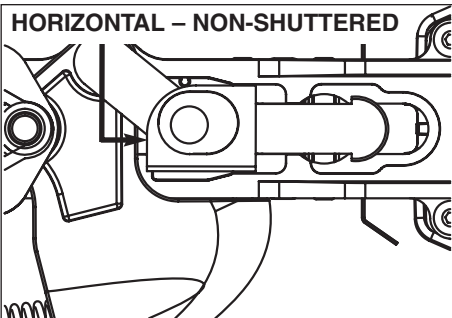
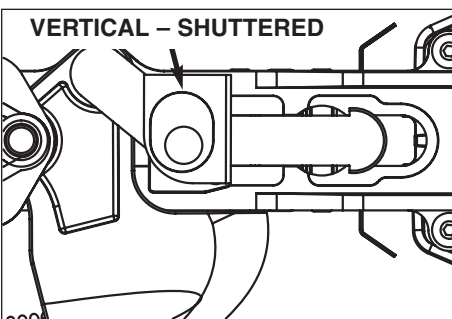


FIGURE 6:

8. Prior to the handle operation, the Cam Block Housing Ram must be rotated to match the type of Jack Module being used.

If a "NON-SHUTTERED" Jack Module is being used, the Cam Block Housing Ram oval opening must be rotated to horizontal (parallel with the backbone of the tool).



If a "SHUTTERED" Jack Module is being used, the Cam Block Housing Ram oval opening must be rotated to vertical.

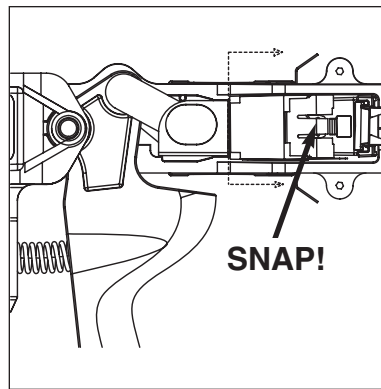


FIGURE 7:

9. Pull the handle completely closed until it stops. The Cam Block Housing Ram will seat the Wire Cap into the Jack Module completing the termination process. An audible "snap" should be heard during the seating process.

10. Holding the Rear Handle, release the Trigger Handle. Pull the completed TG Jack Module Assembly from the tool.

NOTE: USING THE INCORRECT SETTING OF THE CAM BLOCK HOUSING RAM CAN RESULT IN EITHER:

- 1.) A NON-FULLY SEATED WIRE CAP IN THE JACK MODULE, OR
- 2.) DAMAGE TO THE TOOL IN THE JACK SEATING AREA OR DAMAGE TO THE SHUTTER OF THE JACK MODULE IN SHUTTERED JACKS

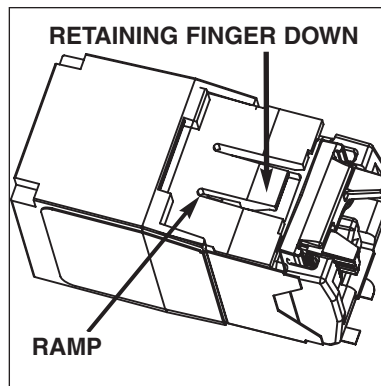


FIGURE 8:

11. Inspect the Jack Module Assembly to make sure the Wire Cap was fully seated into the Jack Module. The Retaining Finger should have dropped into place behind the Wire Cap ramp.

**REPLACEMENT KITS AVAILABLE
(Sold Separately)**

- KTGJTGRD – Protector Plate Kit**
- KTGJTBNA – Blade/Anvil Replacement Kit**
- KTGJTBLD – Blade Replacement Kit**